



GARED SPORTS MODEL 2000+ (806)

POSITIVE LOCK BREAK-AWAY GOAL


The 2000+ goal shall be constructed with an enclosed positive lock mechanism to hold rim in solid playing position. Goal shall be designed so that any possible entrapment areas have been eliminated. Goal shall have official size 18" ring of 5/8" diameter steel with continuous no-tie net attachment, full wing brace design, and a durable orange powder coated finish. Anti-whip net and hardware shall be included. Hole spacing shall be 5" x 5". Goal shall meet NCAA and high school specifications.

ACCESSORIES

BACKBOARDS

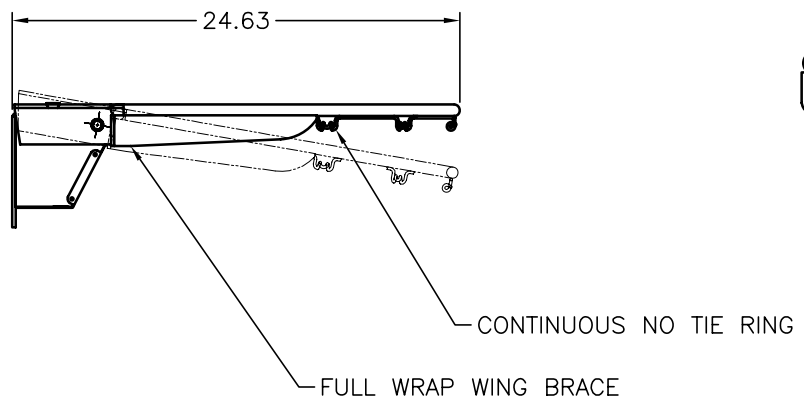
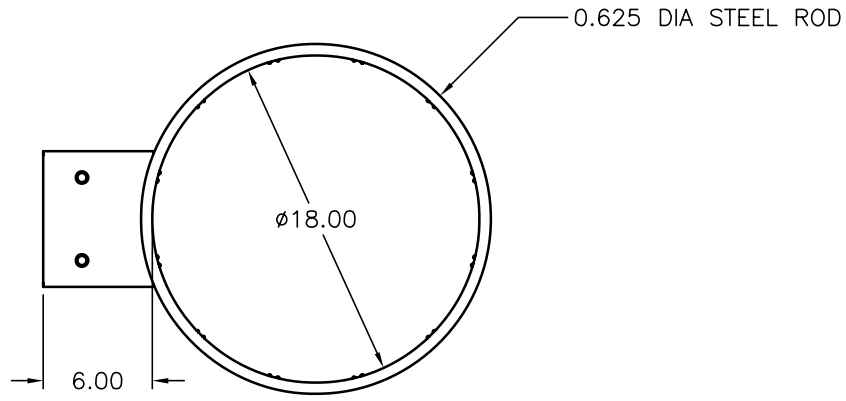
Compatible backboards are Gared Sports models LXP4200 (942), AFRG42 (943), RG (948), AFRG48 (949), FSGII (938), 1301B (929), 1342B (936), 1370B (926), 1401B (924), 1442B (934), 3010RG, 3011RG (950), ARG (944), 3050RG (951). See backboard section in Gared Sports specification manual.

REVISION			
REV.	DATE	BY	
A	10/17/03	JJC	
B	12/03/03	JJC	

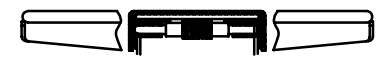


GARED SPORTS, INC
 9200 E. 146th St.
 Noblesville, IN 46060

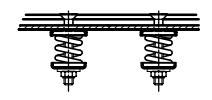
THIS DOCUMENT CONTAINS TRADE SECRET AND OTHER MATERIALS WHICH ARE PROTECTED BY CONFIDENTIALITY NOTICE AND AGREEMENT AND BY COPYRIGHT. ANY USE OR COPYING OF THIS DOCUMENT EXCEPT AS AUTHORIZED BY GARED SPORTS, INC. IS STRICTLY PROHIBITED.			
TITLE 2000 + BREAKAWAY GOAL			
DRAWN	CONNERLEY	DATE	5/08/03
APPROVED	JJC	DATE	5/08/03
FILE LOC.: Q:\Final Release\PSS\Specifications			
SIZE	SCALE	SHT. NO.	DWG. NO.
A	NONE	1 OF 1	2000
			REV B



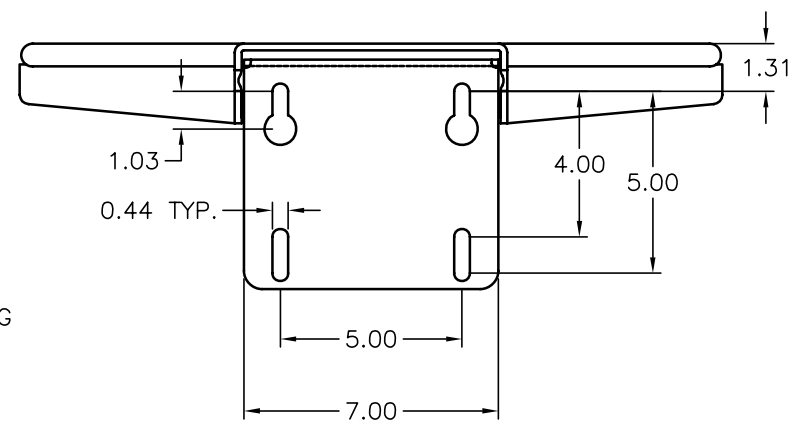
NOTE:
 FINISH - OFFICIAL ORANGE POWDER COAT.
 GOAL IS SUPPLIED WITH ANTI-WHIP NYLON NET AND HARDWARE.



POSITIVE LOCK DETENT MECHANISM



DUAL RETURN SPRINGS



MOUNTING PLATE VIEW