



## **GARED SPORTS MODEL 3011RG**

### **OUTER LIMIT PRO 72" X 42" RECTANGULAR GLASS BACKBOARD Without Center Strut for Direct Mount**

Backboard shall be fabricated with tubular extruded aluminum frame with added internal ribs for increased strength. The frame shall be welded into a solid unit to provide a rigid member for supporting the glass. Corners of frame shall be rounded. Backboard shall meet all professional, NCAA and high school requirements.

Backboard frame shall be available for four corner and center mounting. Key-slots are machined into the frame on standard mounting centers for corner mounting. For direct center mounting, board shall be attached with two 3/4" hollow studs to support the board independently from the goal mounting bolts. Center strut shall not be used with this option. Upper corner braces shall be used when direct center mount is used.

Glass shall be 1/2" in thickness and fully tempered with the white target lines permanently fused onto surface. Glass shall be set into channel shaped vinyl cushion to insulate the glass from frame. Powder coated white cover strips shall be used to hold glass in place and form border around the front face of the board. Goal mounting holes shall be on 5" horizontal and 4 1/2" vertical centers.

Backboard shall be covered by a lifetime warranty.

#### **ACCESSORIES**

#### **GOALS**

Compatible goals are Gared Sports models 20123T-A, 20123T-B, 1000, 3000 and 2000+. See goal section in Gared Sports specification manual.

#### **BANK PADDING**

See accessories section in Gared Sports specification manual.

REVISION

REV.	DATE	BY
A	5/02/03	JRM



**GARED SPORTS**

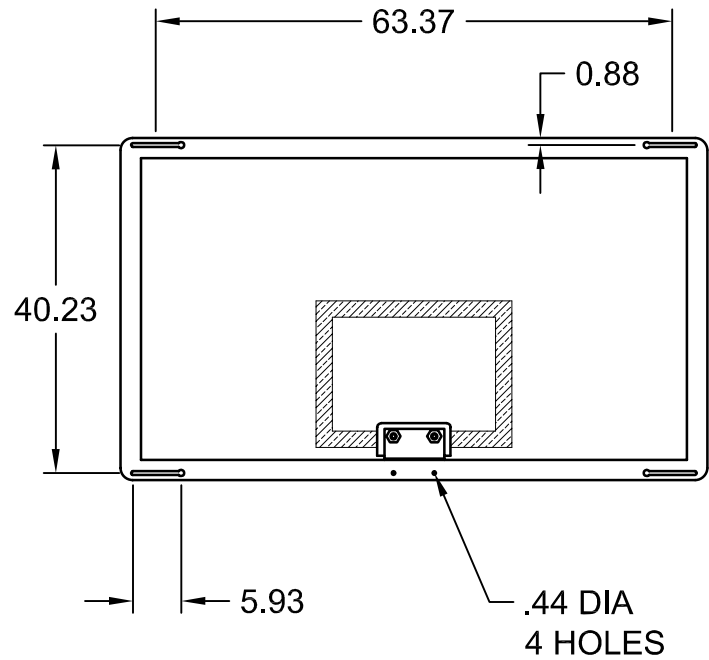
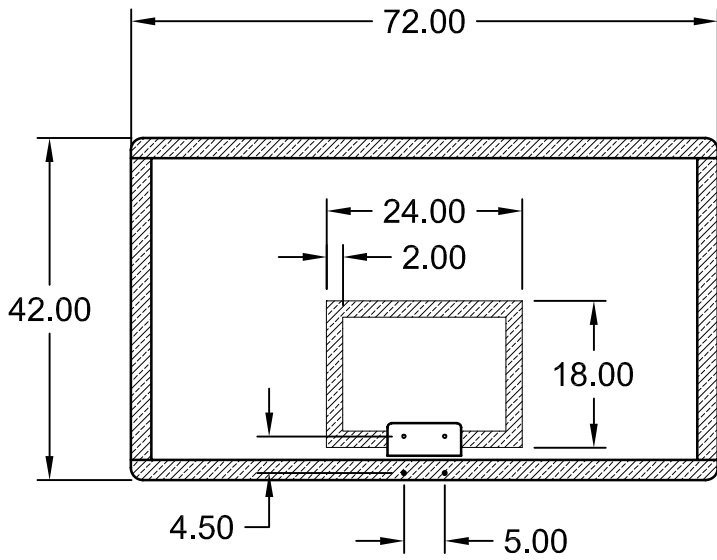
9200 E. 146th St.

Noblesville, IN 46060

THIS DOCUMENT CONTAINS TRADE SECRET AND OTHER MATERIALS WHICH ARE PROTECTED BY CONFIDENTIALITY NOTICE AND AGREEMENT AND BY COPYRIGHT. ANY USE OR COPYING OF THIS DOCUMENT EXCEPT AS AUTHORIZED BY GARED SPORTS IS STRICTLY PROHIBITED.

OUTERE LIMIT PRO BACKBOARD

DRAWN CONNERLY	DATE 5/02/03	MATERIAL 1/2" TEMPERED GLASS
APPROVED JUC	DATE 5/02/03	FINISH
FILE LOC. Q:\Final Release\Specifications	DWG. NO. 3011RG	
SIZE A	SCALE NONE	SHT. NO. 1 OF 1
		PART NO. 3011RG
		REV A



NOTE:  
 BACKBOARD THICKNESS- 2 3/8"  
 MATERIAL- 1/2" THICK TEMPERED GLASS  
 ALUMINUM FRAME