



## **GARED SPORTS MODEL 3000 (809)**

### **POSITIVE LOCK BREAK-AWAY GOAL**

Goal shall be constructed with an enclosed positive lock mechanism that is designed with heat-treated hardened springs to return goal to playing position. The positive lock mechanism shall be tested up to 31,000 cycles with no deformation at loads up to 1400 lbs. Goal shall have an official sized 18" ring of 5/8" diameter steel and shall be supported by a continuous welded wraparound brace. Goal shall meet NCAA and high school requirements.

Goal shall have a continuous no tie ring and orange powder coated finish. Anti-whip net and hardware shall be included. Universal goal mounting plate will fit hole patterns for most 42" and 48" rectangular backboards and most fan-shaped backboards.

### **ACCESSORIES**

### **BACKBOARDS**

Compatible backboards are Gared Sports models LXP4200 (942), AFRG42 (943), RG (948), AFRG48 (949), FSGII (938), 1301B (929), 1342B (936), 1370B (926), 1401B (924), 1442B (934), 3010RG, 3011RG (950), ARG (944), 3050RG (951). See backboard section in Gared Sports specification manual.

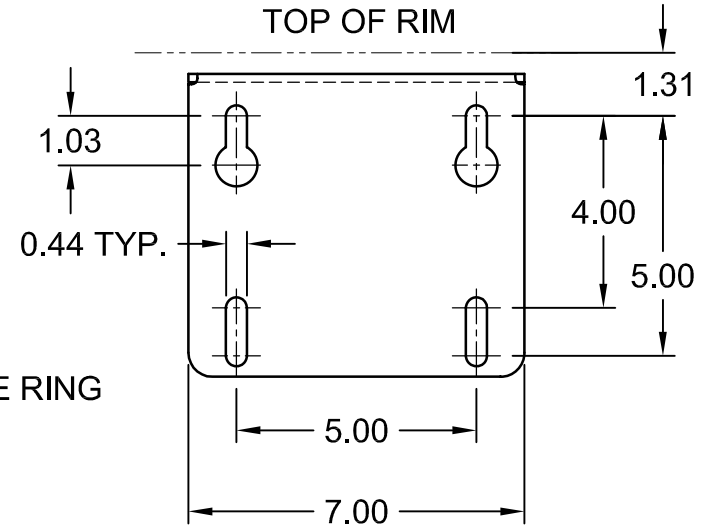
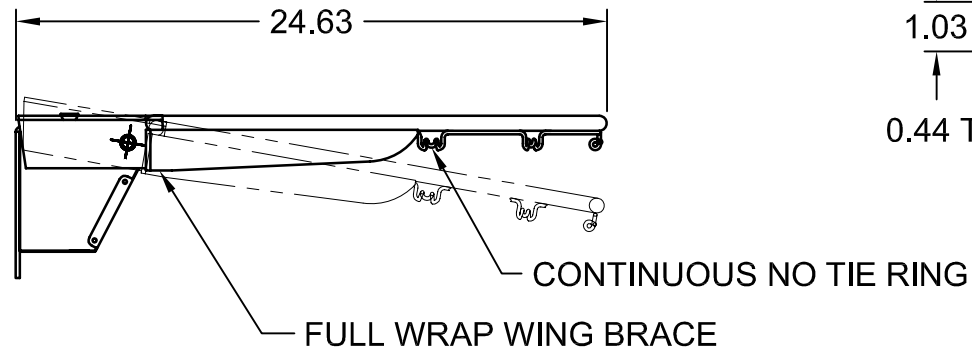
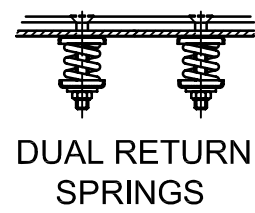
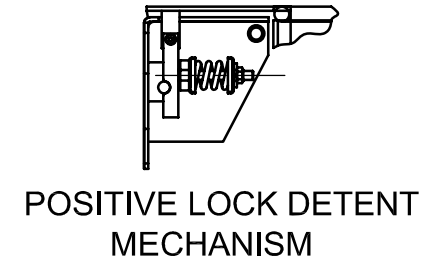
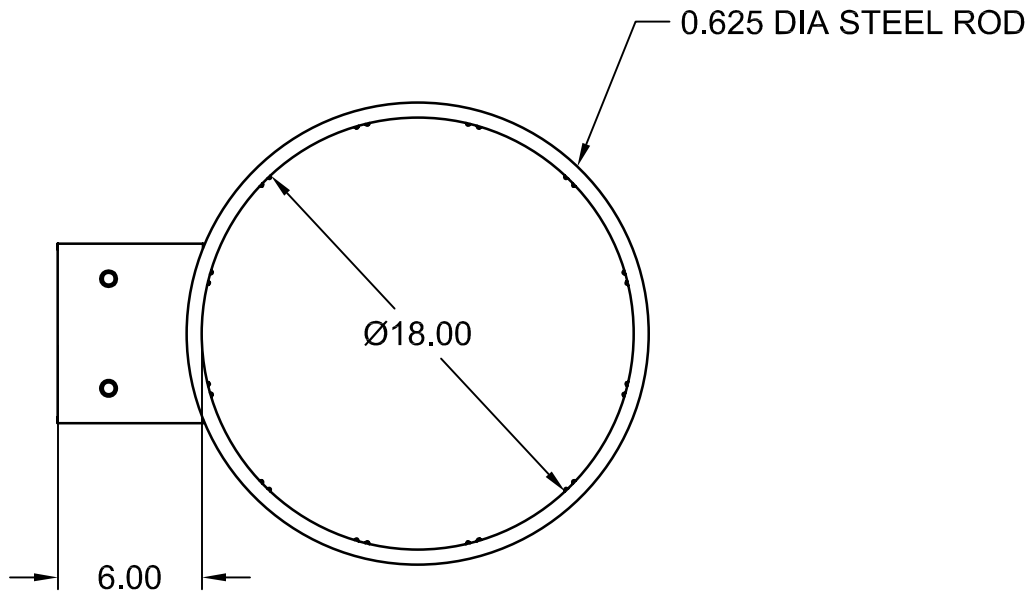
REVISION		
REV.	DATE	BY
A	12/03/03	JJC
B	12/20/06	WAE



**GARED SPORTS**  
9200 E. 146th St.  
Noblesville, IN 46060

DRAWN CONNERLEY		DATE 05/08/03	MATERIAL N/A
APPROVED JJC		DATE 05/08/03	FINISH N/A
FILE LOC.	Q:\Final Release\Specifications		DWG. NO. 3000
SIZE	SCALE	SHT. NO.	PART NO.
A	NONE	1 OF 1	3000
3000 BREAKAWAY GOAL			REV B

THIS DOCUMENT CONTAINS TRADE SECRET AND OTHER MATERIALS WHICH ARE PROTECTED BY CONFIDENTIALITY NOTICE AND AGREEMENT AND BY COPYRIGHT. ANY USE OR COPYING OF THIS DOCUMENT EXCEPT AS AUTHORIZED BY GARED SPORTS IS STRICTLY PROHIBITED.



NOTE:  
FINISH - OFFICIAL ORANGE POWDER COAT.  
GOAL IS SUPPLIED WITH ANTI-WHIP NYLON NET  
TUBE WIRE, AND HARDWARE.