



## **GARED SPORTS MODEL AFRG42 (943)**

### **ALUMINUM FRAME 72" X 42" RECTANGULAR GLASS BACKBOARD**

The AFRG42 backboard shall be fabricated with an aluminum frame constructed of .200 extruded "F" channel with steel corner brackets. All steel components shall be powder coated with a durable gray finish. Aluminum-capped frame will not be acceptable. Manufacturer of backboard shall have over ten years experience. Backboard shall meet NCAA and high school requirements.

Glass shall be ½" in thickness and fully tempered with white border and target lines permanently fused onto the surface. Vinyl shock absorbing material insulates the glass from the frame. Goal mounting holes shall be on standard 5" horizontal and 4" vertical centers. Acrylic cushioning pad shall be used between steel mounting plate and glass to protect against possible breakage.

### **ACCESSORIES**

#### **RECOMMENDED GOALS**

Breakaway with positive lock mechanism, 2000+ Collegiate (806)

Regular breakaway, 1000 Scholastic (829)

Regular Stationary, 39WO Institutional (801)

Heavy duty Stationary, 240 Super Goal (845)

#### **BANK PADDING**

See accessories section in Gared Sports specification manual.

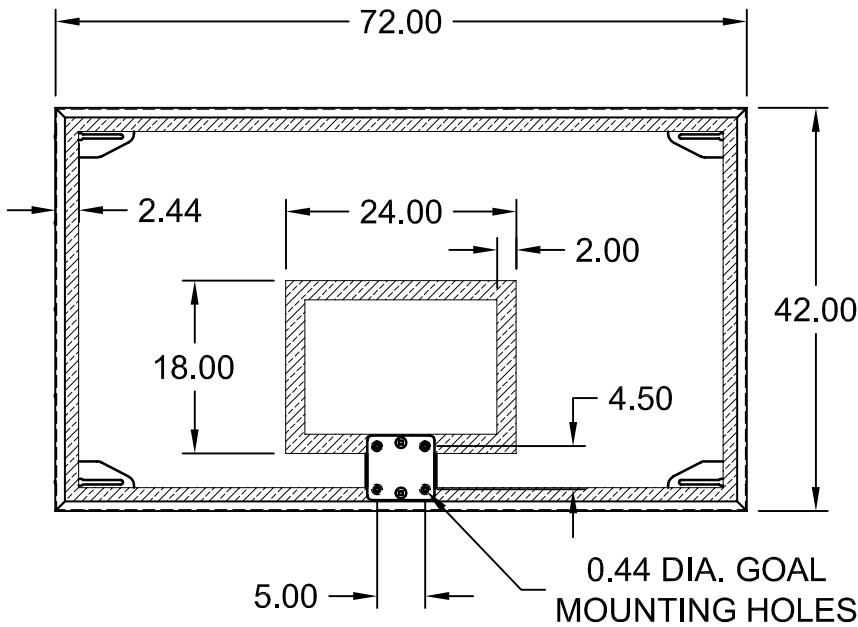
**NOTE:**

BACKBOARD THICKNESS - 2.25 INCHES

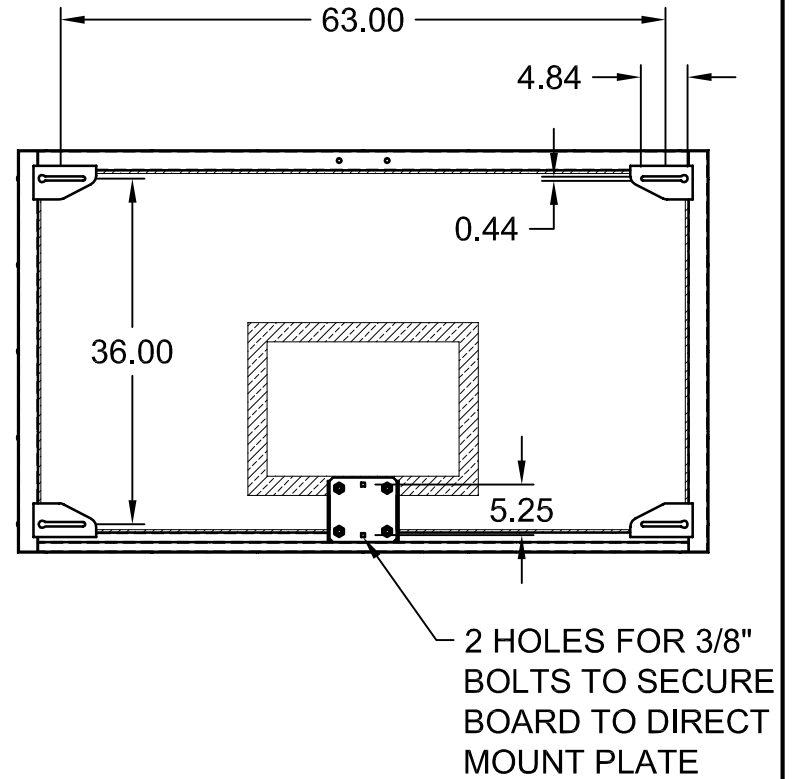
MATERIAL - 0.50" THICK TEMPERED GLASS

FULLY WELDED TUBULAR FRAME

FINISH - NATURAL ALUMINUM WITH GRAY POWDERCOAT ON STEEL COMPONENTS



**FRONT VIEW**




**REAR VIEW**

THIS DOCUMENT CONTAINS TRADE SECRET AND OTHER MATERIALS WHICH ARE PROTECTED BY CONFIDENTIALITY NOTICE AND AGREEMENT AND BY COPYRIGHT. ANY USE OR COPYING OF THIS DOCUMENT EXCEPT AS AUTHORIZED BY GARED SPORTS IS STRICTLY PROHIBITED.

**42" ALUMINUM FRAME GLASS BACKBOARD**

DRAWN	CONNERLEY	DATE	11/15/06	MATERIAL	N/A
APPROVED	CONNERLEY	DATE	11/15/06	FINISH	N/A
FILE LOC.	Q:\Final Release\Specifications				
SIZE	SCALE	SHT. NO.	PART NO.	DWG. NO.	AFRG42-001
A	NONE	1 OF 1			

  
**GARED SPORTS**  
 9200 E. 146th St.  
 Noblesville, IN 46060

REVISION		
REV.	DATE	BY
-	-	-

**AFRG42**

REV