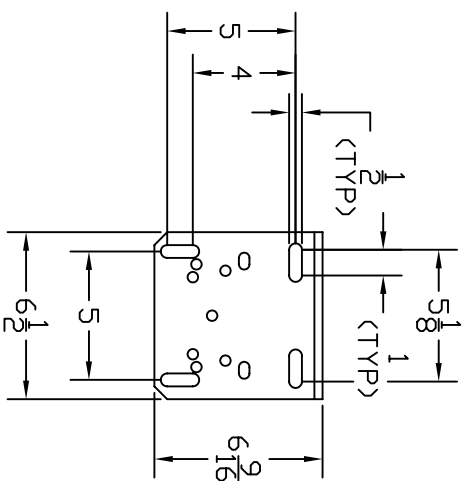
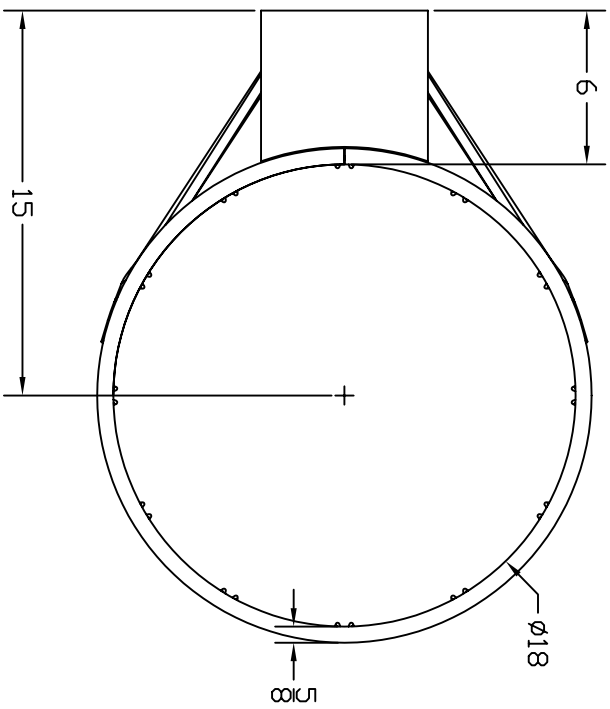
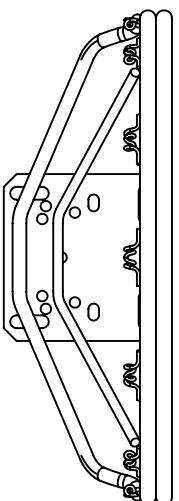
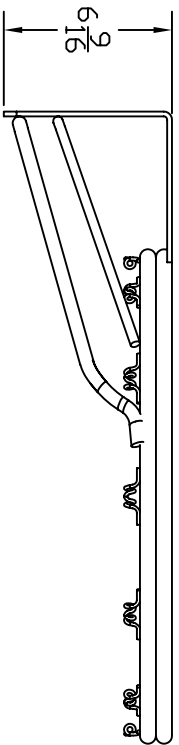


SPALDING®

**Super Goal II
Model # 411-553**



GOAL MOUNTING PATTERN



SUPERGOAL II

DO NOT SCALE

Model #0411553



SPALDING SPECIFICATIONS

DATE: 01/01/06

MODEL NUMBER: 411553

DESCRIPTION: Super Goal II

SPECIFICATIONS:

Fixed rim shall be made of two joined 5/8" round alloy steel rings. Each ring is to have an 18" inside diameter.

Goal shall have two 7/16" cold rolled steel braces for extra strength.

Goal shall have continuous "ram horn" style ties for easy net installation.

Goal shall be electrostatically powder coated orange.

Nylon net and mounting hardware included.

Goal shall have a universal mounting pattern (5" x 5" and 5" x 4") for attachment to any 48" x 72" backboard.

Goal shall have a one year warranty. Warranty not valid if used in a way not intended.

Shipping weight: 21 lbs.

[View Spec Print](#)