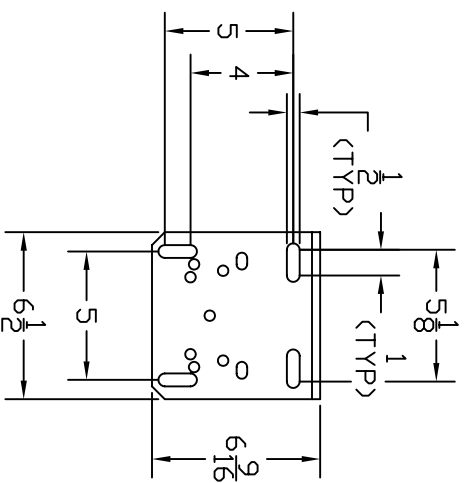
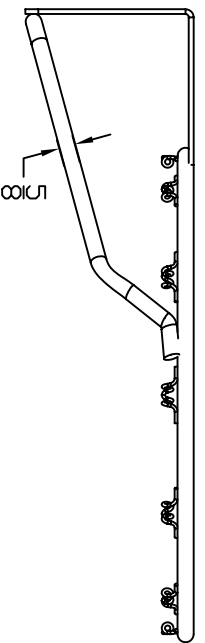
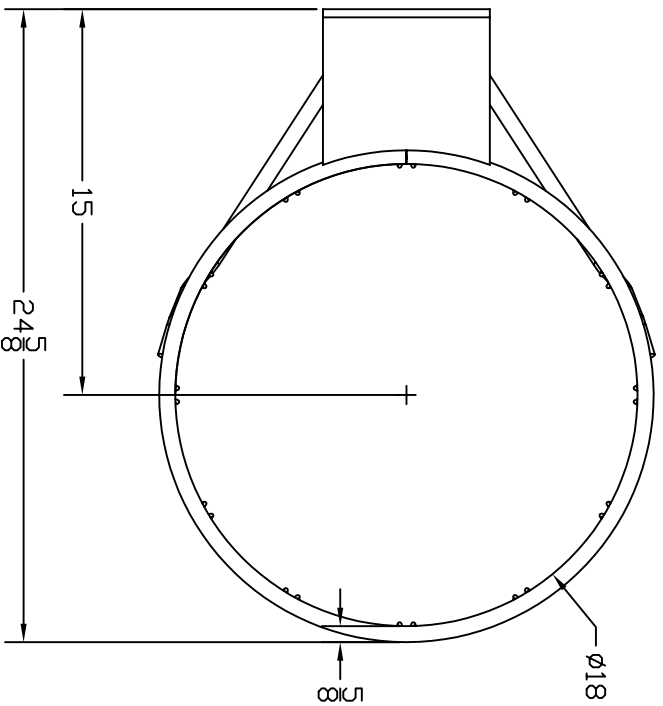
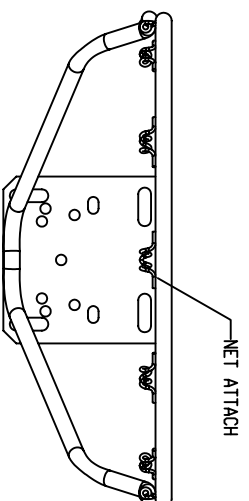


SPALDING®

**Super Goal
Model # 411-551**



GOAL MOUNTING PATTERN



SUPERGOAL

DO NOT SCALE

Model #0411551



SPALDING SPECIFICATIONS

DATE: 01/01/06

MODEL NUMBER: 411551

DESCRIPTION: Super Goal

SPECIFICATIONS:

Fixed rim shall be made of 5/8" round alloy steel to make an 18" inside diameter ring.

Goal shall have 5/8" cold rolled steel braces for maximum strength.

Goal shall have continuous "ram horn" style ties for easy net installation.

Goal shall be electrostatically powder coated orange.

Nylon net and mounting hardware included.

Goal shall have a universal mounting pattern (5" x 5" and 5" x 4") for attachment to any 48" x 72" backboard.

Goal shall have a one year warranty. Warranty not valid if used in a way not intended.

Shipping weight: 16 lbs.

[View Spec Print](#)