



GARED SPORTS MODEL 20123T-B (804)
SNAP-B

SNAP BACK BREAK-AWAY GOAL

The SNAP-B Goal shall be constructed with a completely enclosed positive lock, which holds the rim in solid playing position and automatically returns to playing position. Goal shall be available in two pressure settings; 230 lbs. pressure setting is recommended for 1/2" rectangular glass board; 180 lbs. pressure setting is suggested for use on all other backboards. Goal shall have an official sized 18" ring of 5/8" diameter steel designed for use with tie cord netting. Goal shall meet all professional, NCAA, and high school requirements.

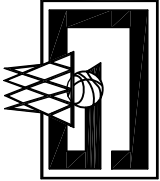
Goal shall have a durable orange powder coated paint finish and come complete with nylon net and tie cord. Hole spacing shall be 5" horizontal x 4" to 4-1/2" vertical.

ACCESSORIES

BACKBOARDS

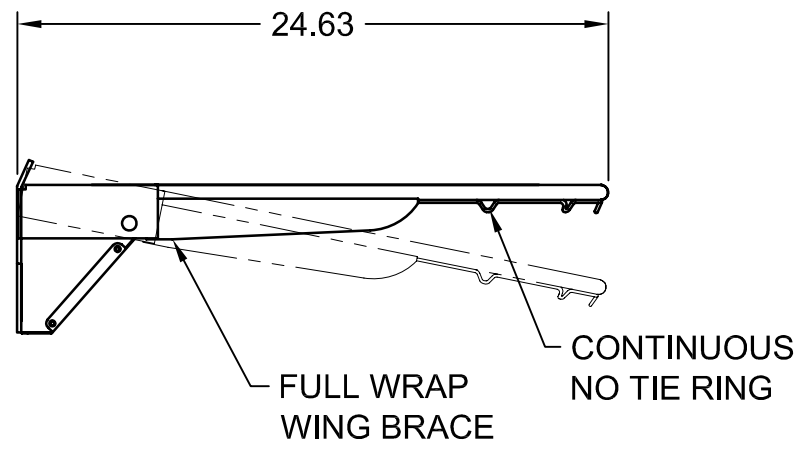
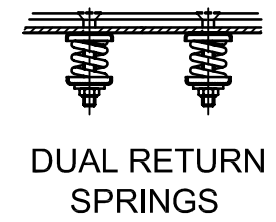
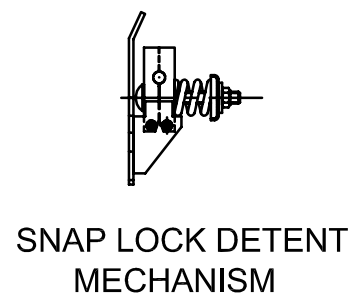
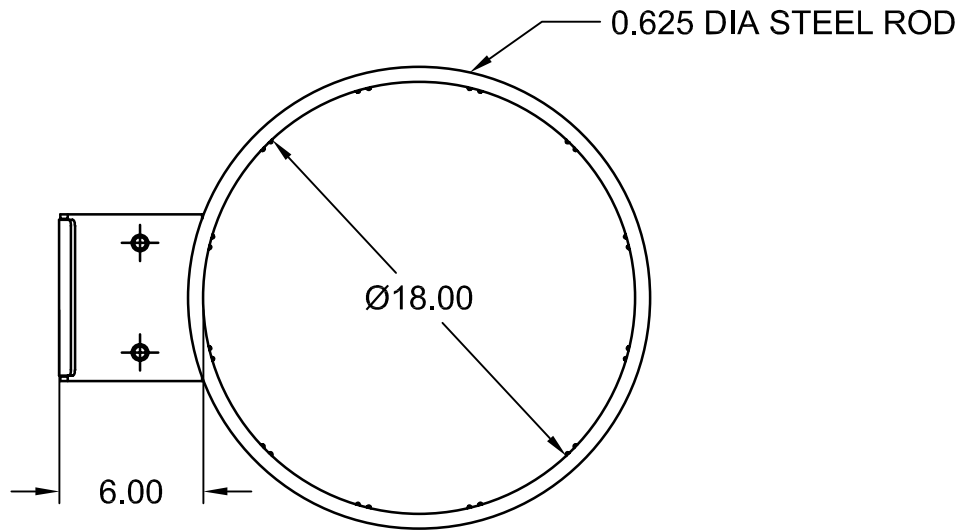
Compatible backboards are Gared Sports models LXP4200 (942), AFRG4200 (943), 3010RG, and 3011RG. See backboard section in Gared Sports specification manual.

REVISION		
REV.	DATE	BY
A	12/02/03	JJC
B	12/20/06	WAE

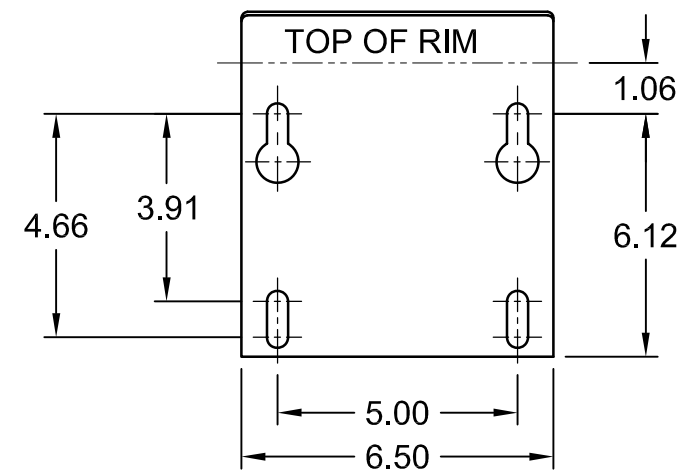


GARED SPORTS
9200 E. 146th St.
Noblesville, IN 46060

DRAWN CONNERLEY		DATE 05/07/03	MATERIAL N/A
APPROVED JJC		DATE 05/07/03	FINISH N/A
FILE LOC.	Q:\Final Release\Specifications		DWG. NO. 20123T-B
SIZE A	SCALE NONE	SHT. NO. 1 OF 1	PART NO. 20123T-B
<p>THIS DOCUMENT CONTAINS TRADE SECRET AND OTHER MATERIALS WHICH ARE PROTECTED BY CONFIDENTIALITY NOTICE AND AGREEMENT AND BY COPYRIGHT. ANY USE OR COPYING OF THIS DOCUMENT EXCEPT AS AUTHORIZED BY GARED SPORTS IS STRICTLY PROHIBITED.</p> <p>SNAP A BREAKAWAY GOAL</p>			
REV B			



NOTE:
FINISH - OFFICIAL ORANGE POWDER COAT.
GOAL IS SUPPLIED WITH ANTI-WHIP NYLON NET,
TIE CORD, AND HARDWARE.



MOUNTING PLATE VIEW